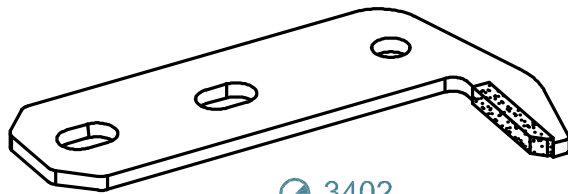


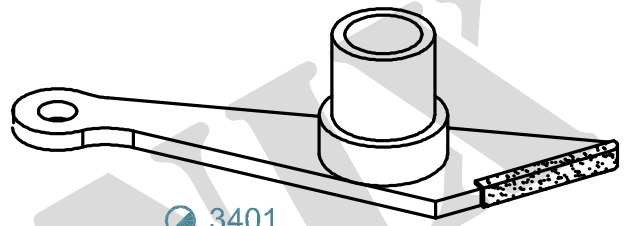
# FOR RUTI RAPIER

3400

3400 - F2000 ( SELVEDGE )

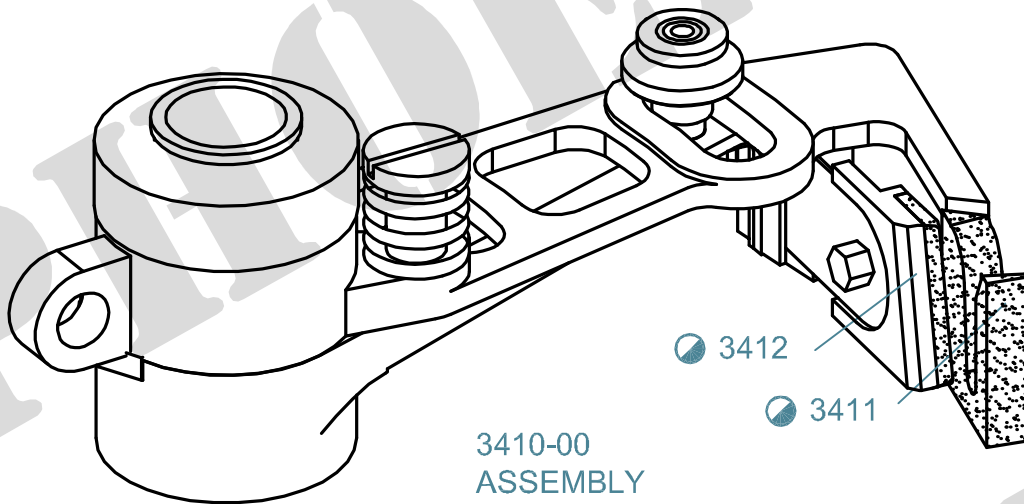


● 3402



● 3401

3410 - F2000 ( WEFT )



● 3412

● 3411

3410-00  
ASSEMBLY

MATERIAL CODE : ● SOLID CARBIDE , ○ HSS , ● BRAZED CARBIDE , ⊙ TIN COATED